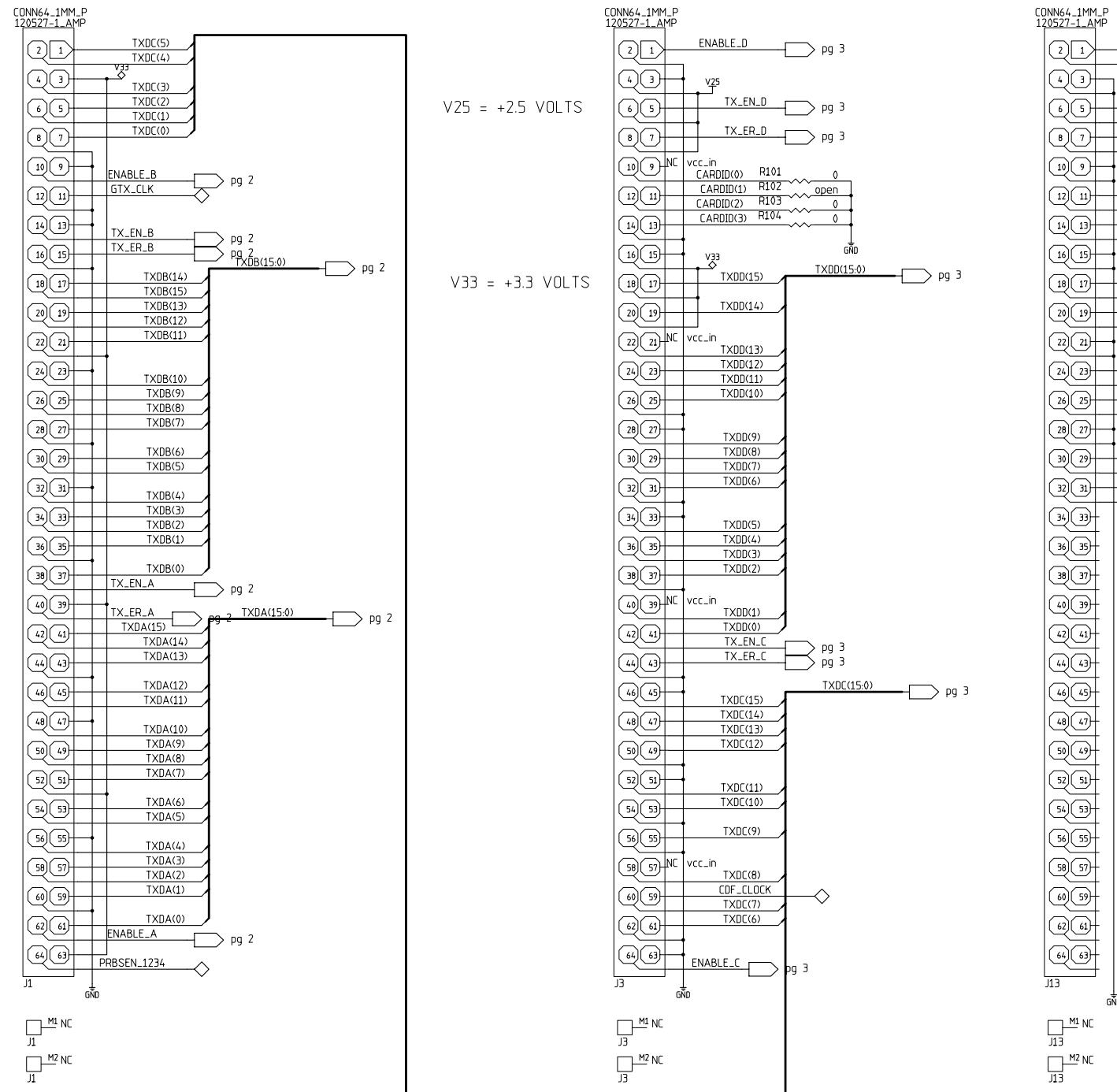
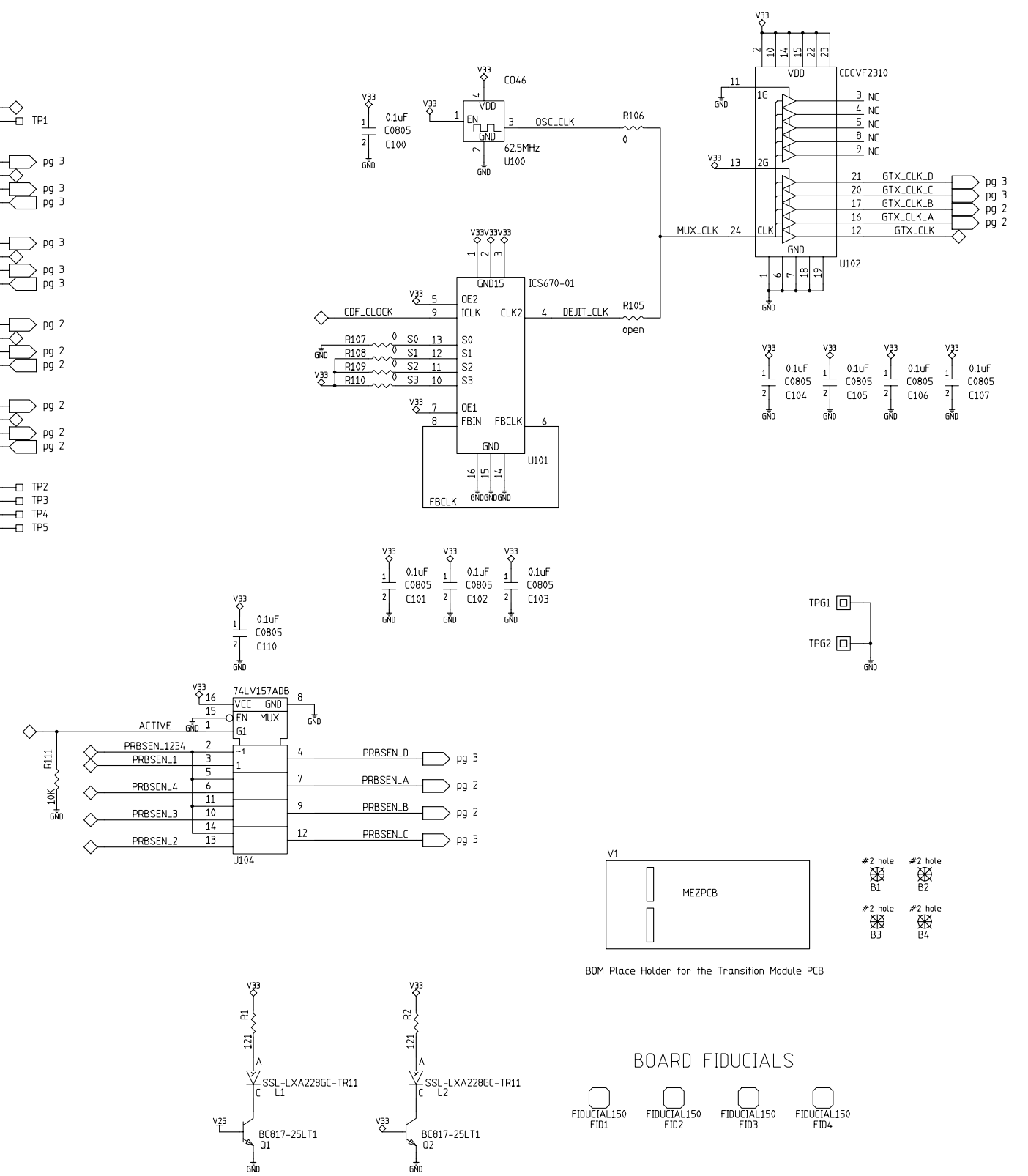


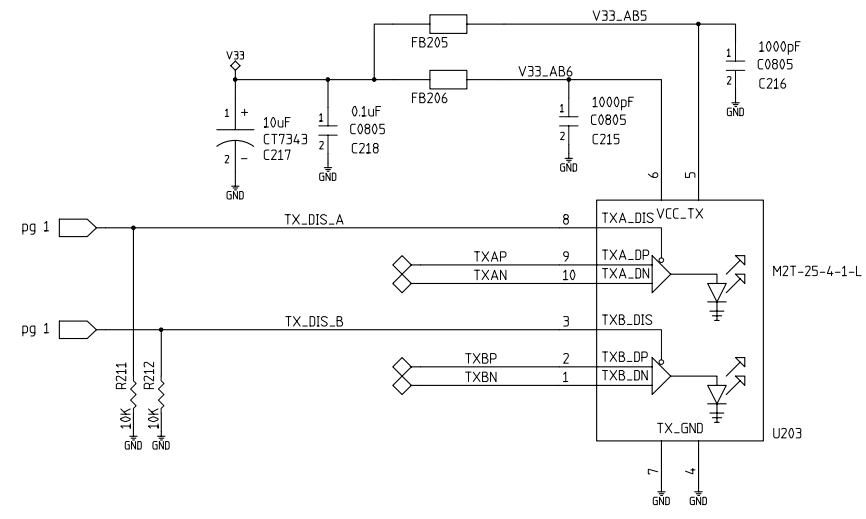
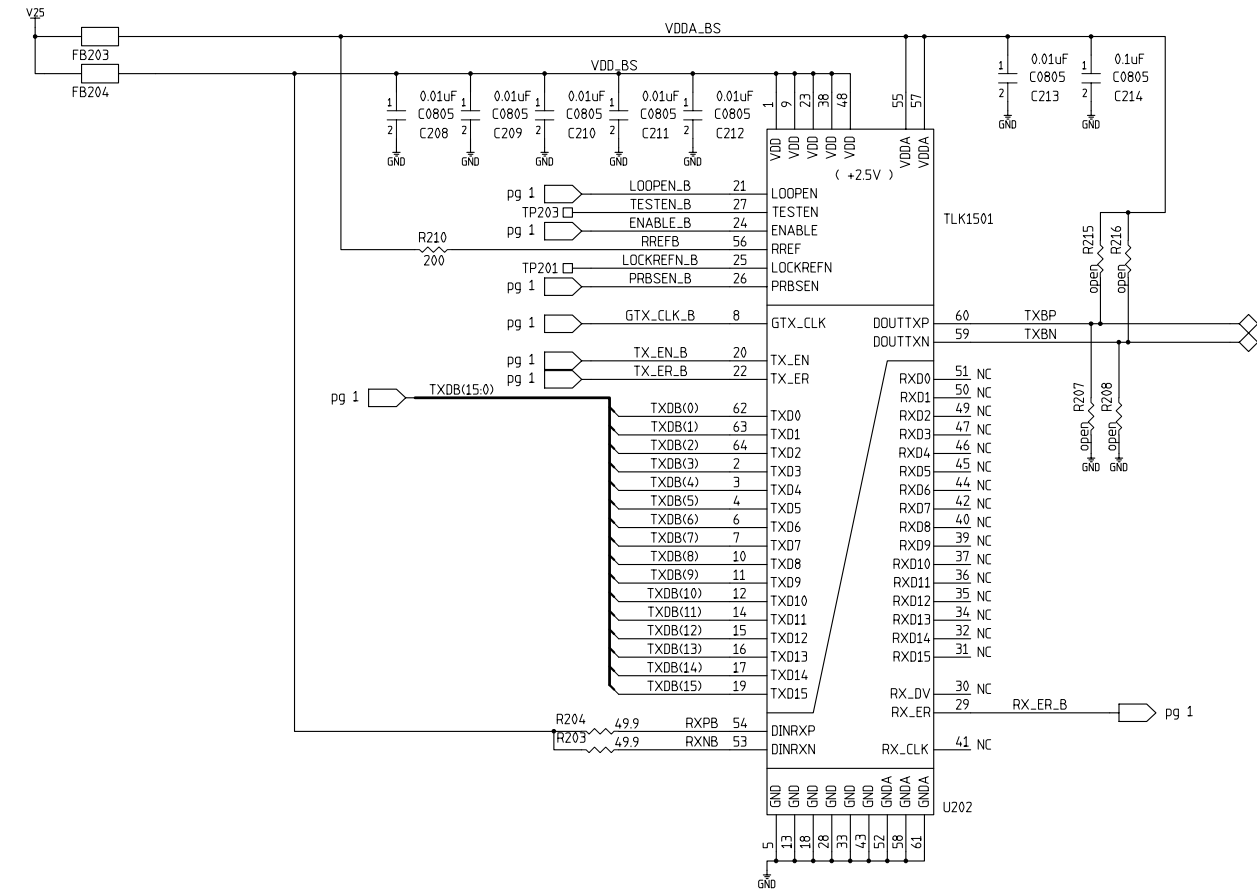
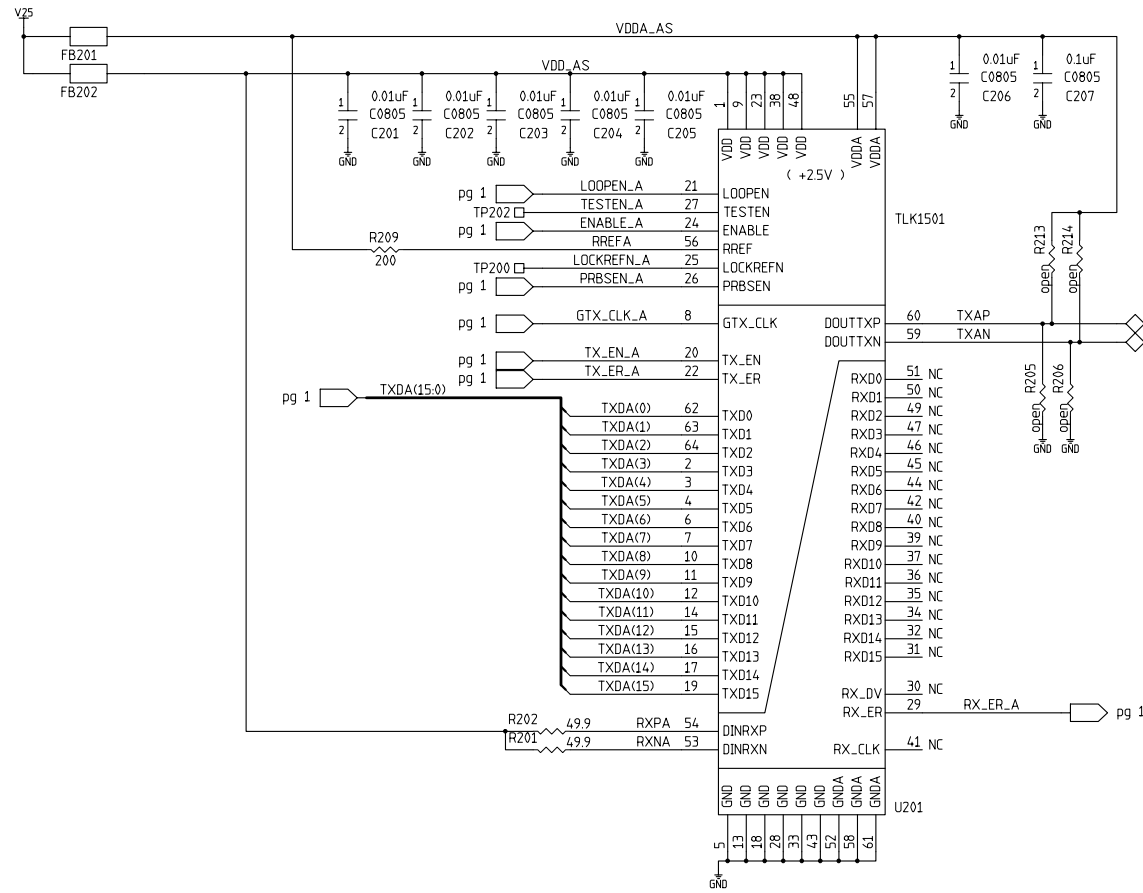
CMC001 - Transmitter Mezzanine Card

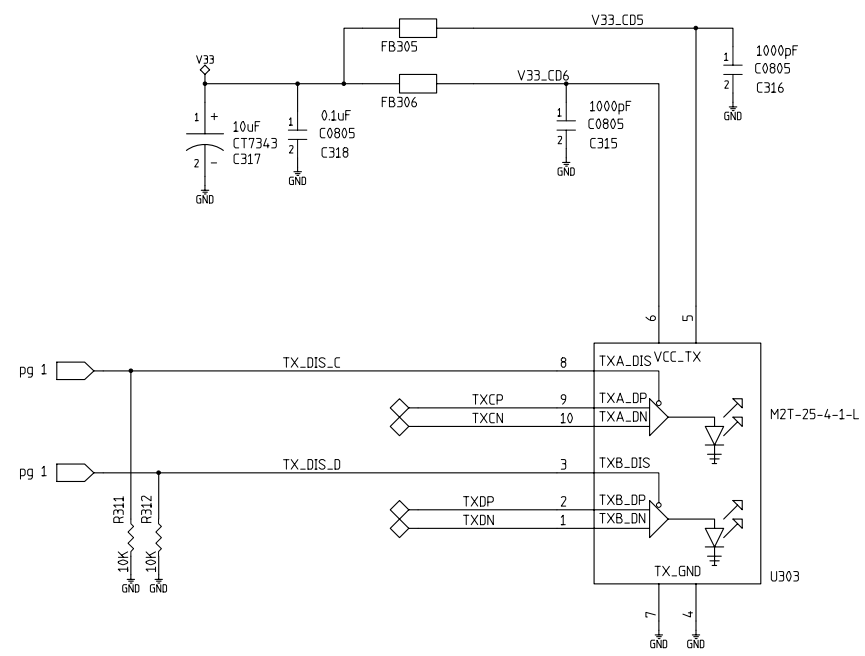
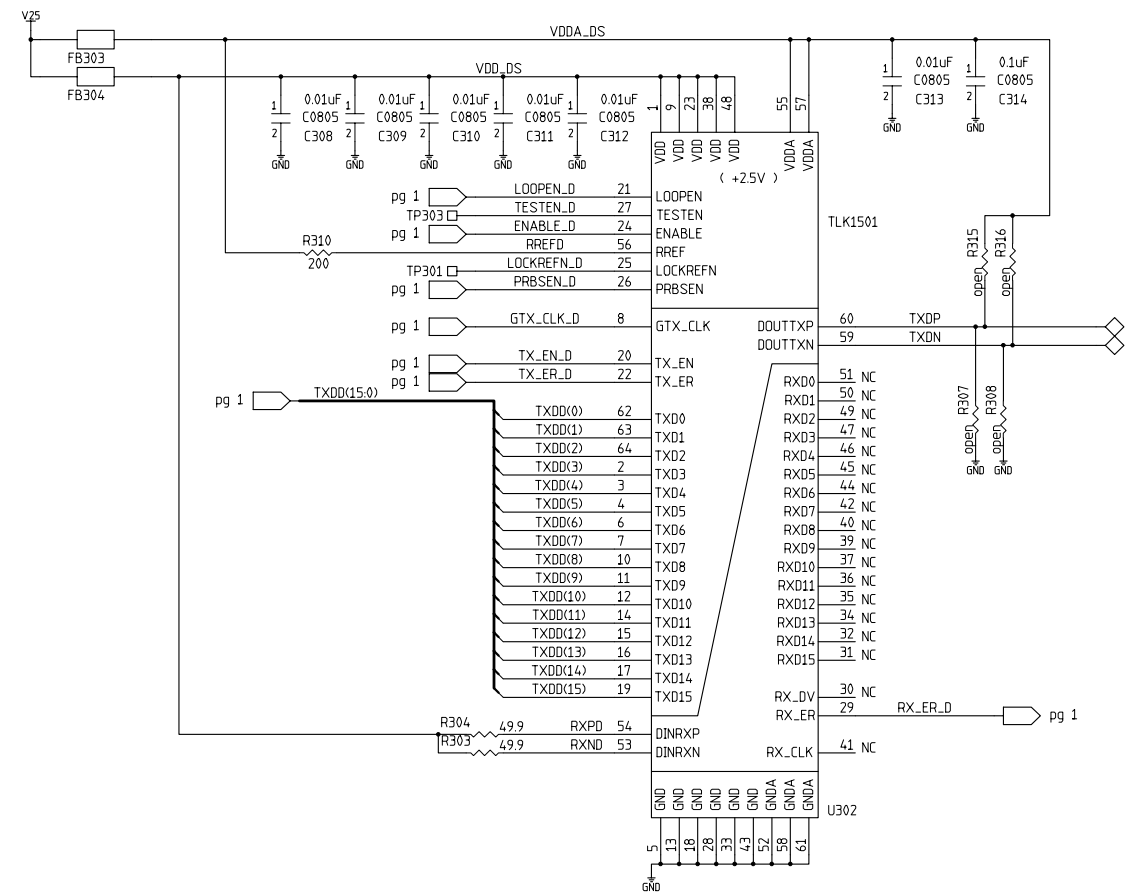
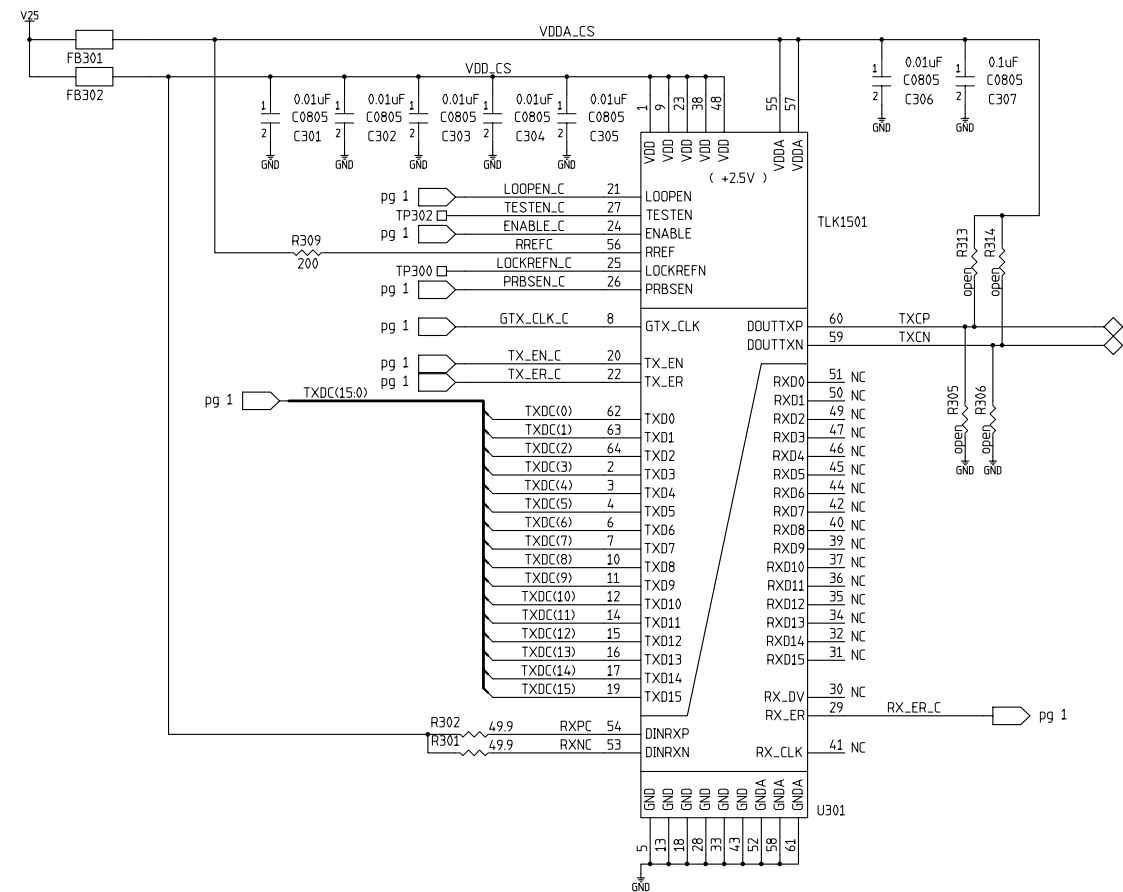
Clock Mux/Fanout

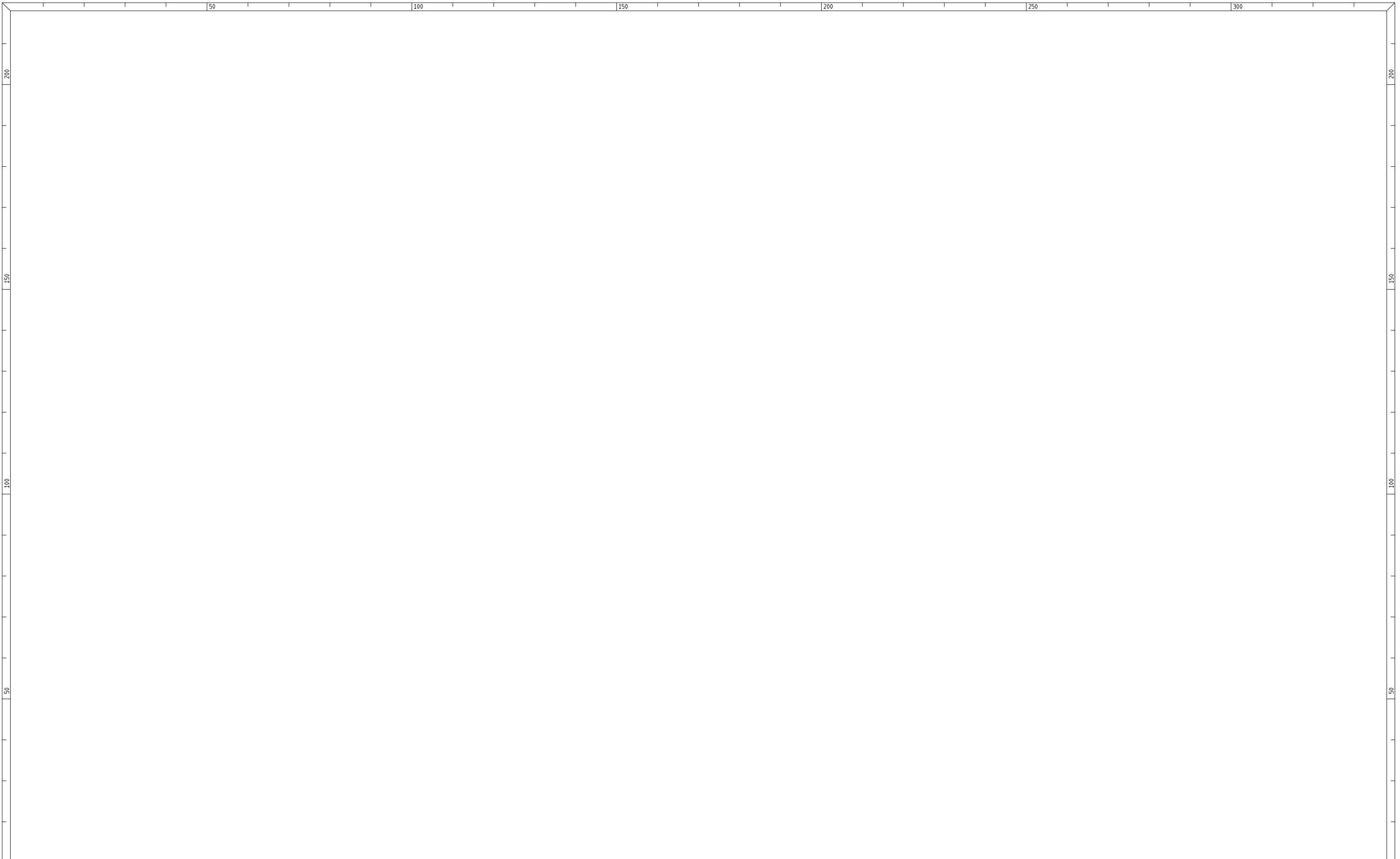


1_TXD(y) = TXDD(y)
 2_TXD(y) = TXDC(y)
 3_TXD(y) = TXDB(y)
 4_TXD(y) = TXDA(y)









50 100 150 200 250 300

200

150

100

50

200

150

100

50

HIGH ENERGY PHYSICS GROUP	HEPG UNIVERSITY OF ILLINOIS URBANA - CHAMPAIGN	COPY OF DRAWING NO.:	DESIGNED BY:	DATE DESIGNED:	USED ON:	TITLE:	FILE:	DRAWING NO.:	REV.:	DATE LAST REVISED:
HEPG SIZE B	50	100	150	200	250	300				