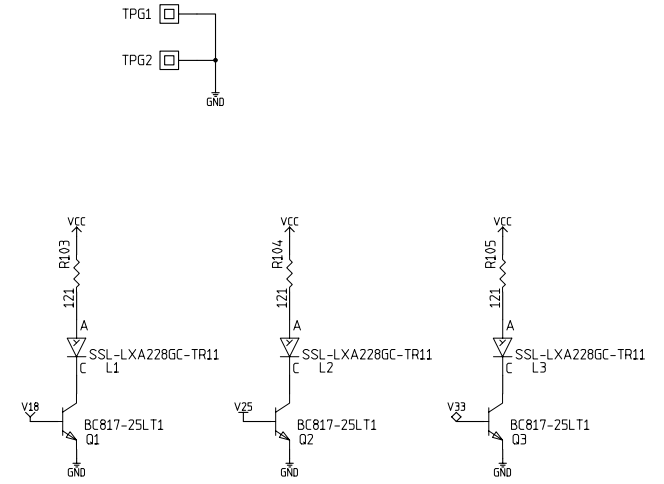
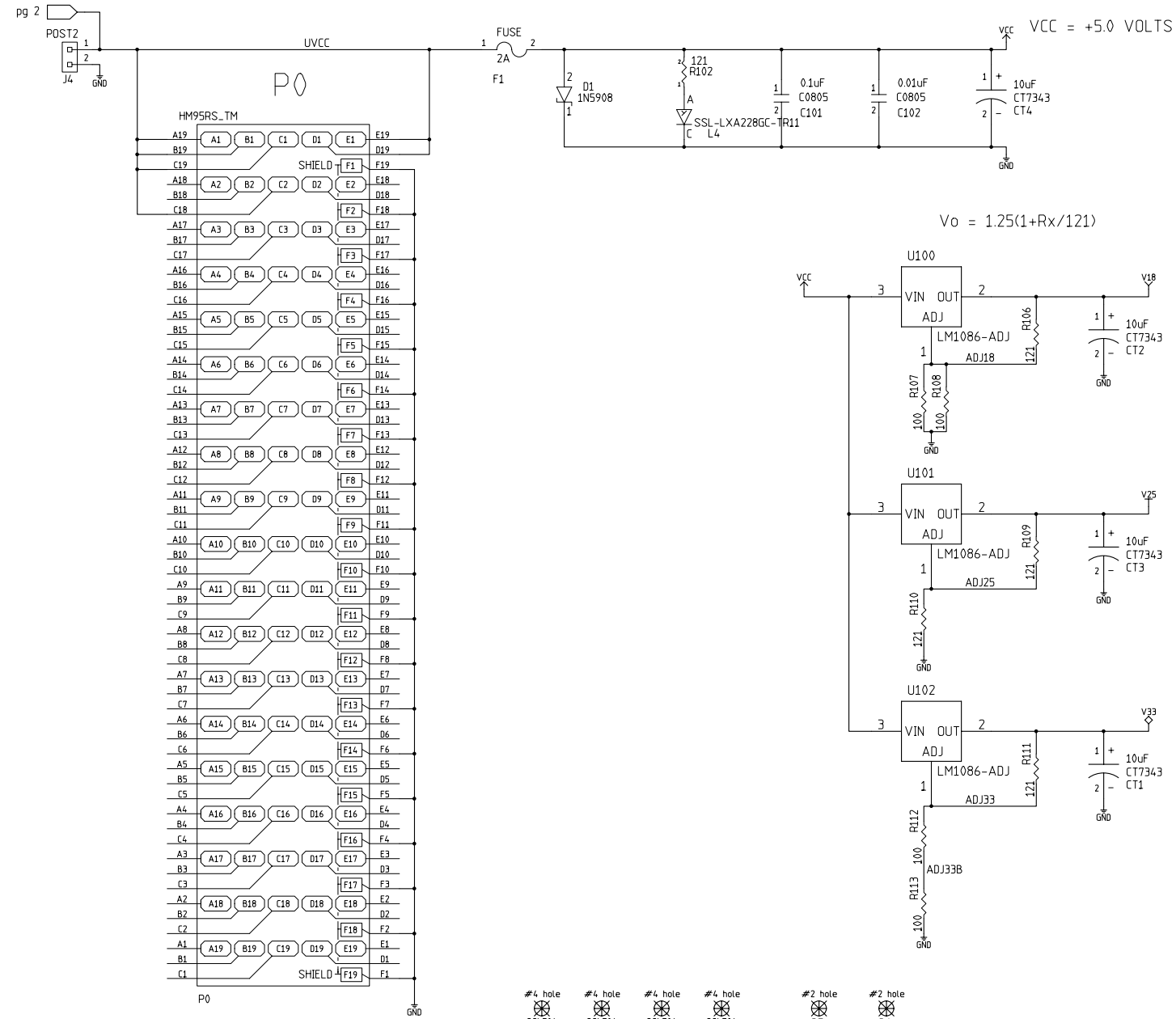


TDC - FIBER OPTIC TRANSITION MODULE

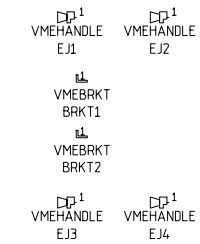


V18 = +1.8 VOLTS

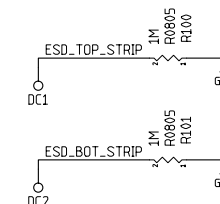
V25 = +2.5 VOLTS

V33 = +3.3 VOLTS

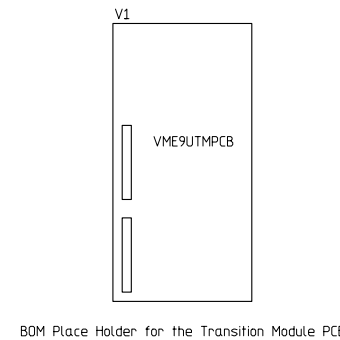
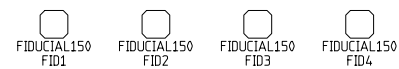
MECHANICAL HARDWARE

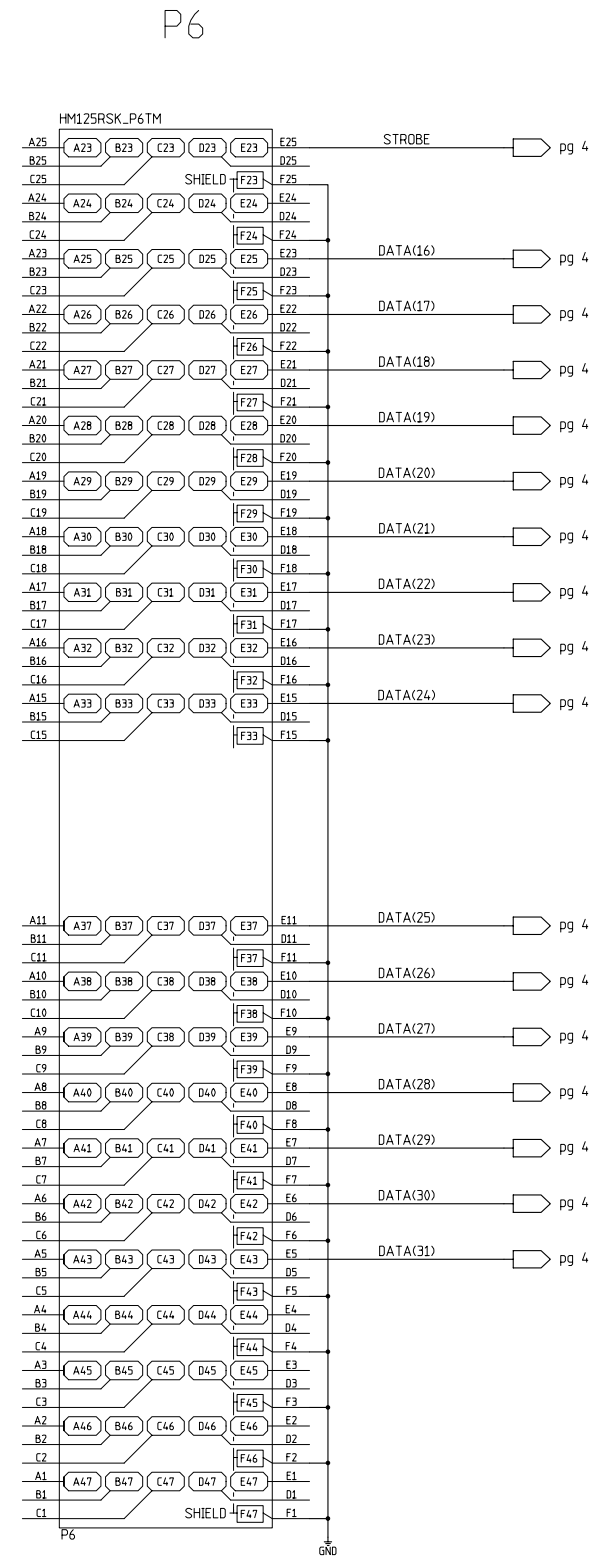
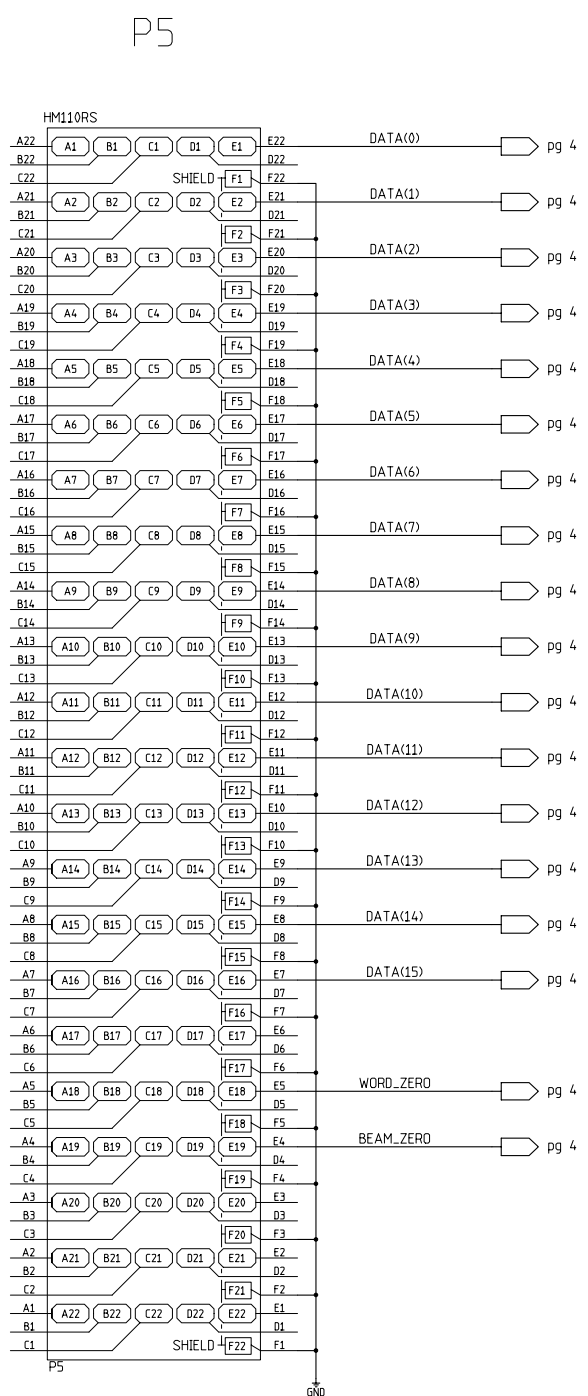
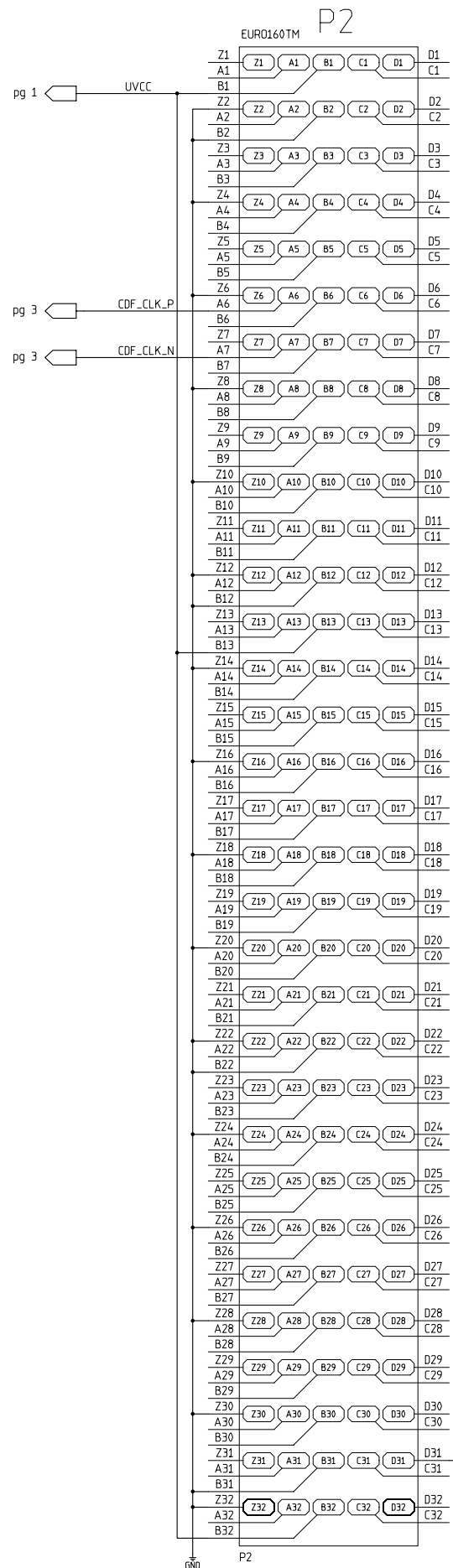


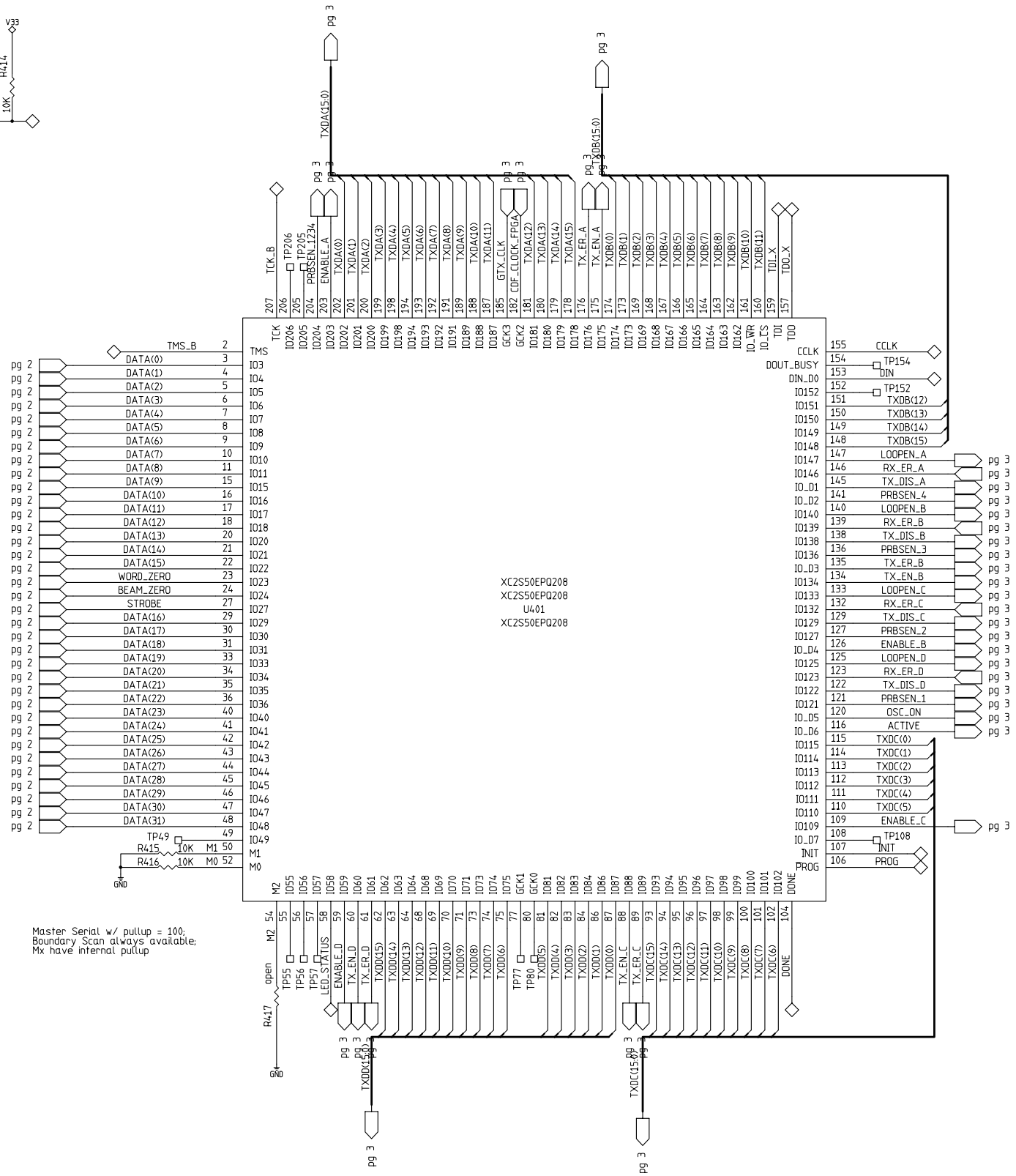
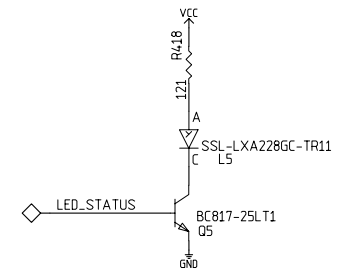
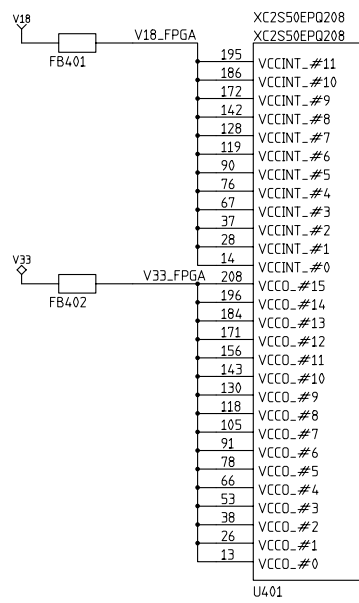
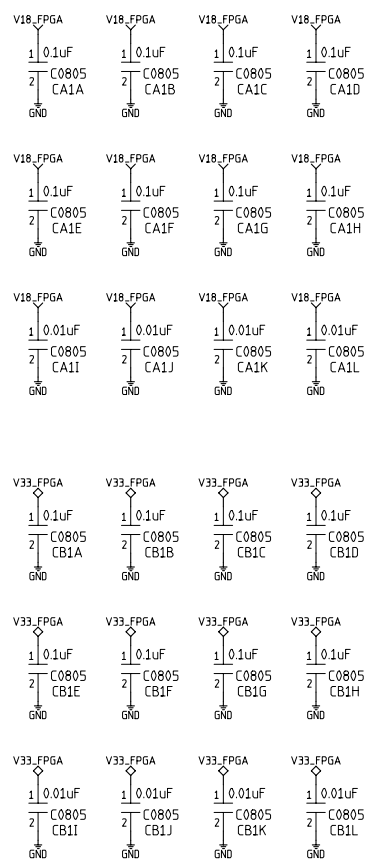
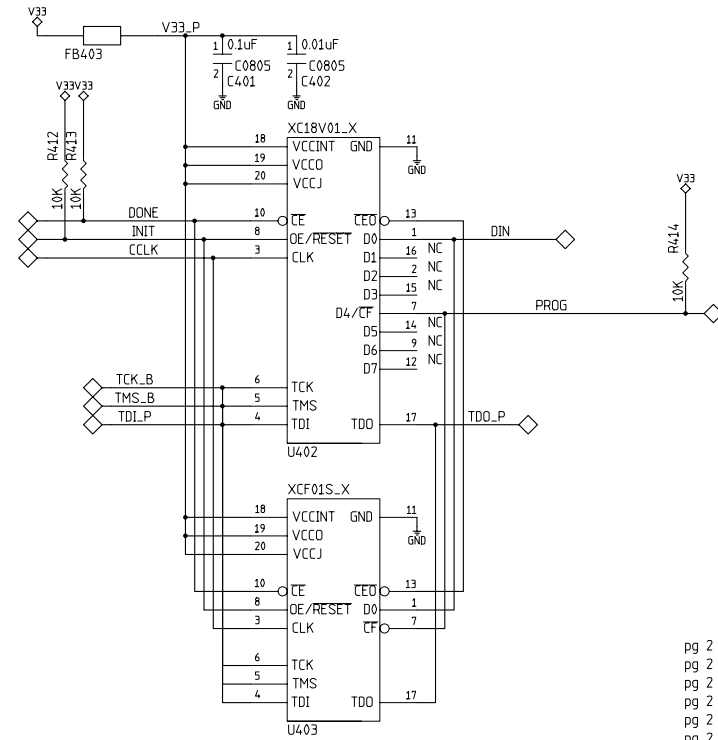
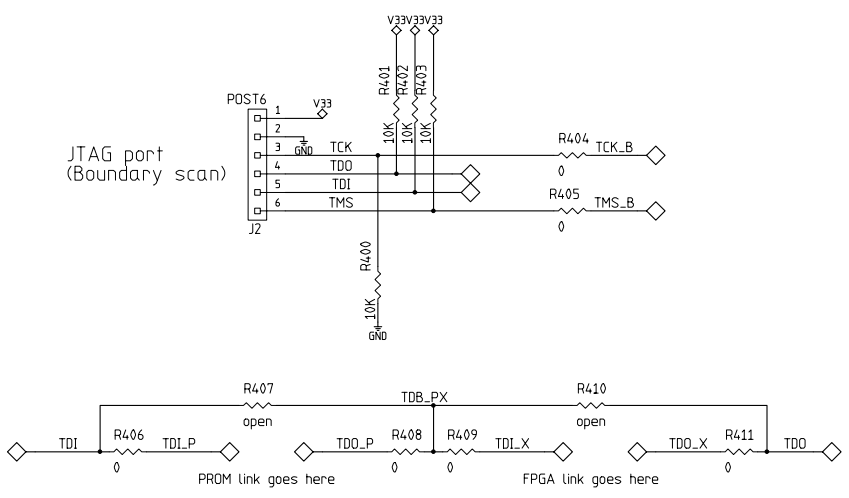
ESD DISCHARGE STRIPS



BOARD FIDUCIALS







Master Serial w/ pullup = 10k;
Boundary Scan always available;
Mx have internal pullup